

THIS DRAWING IS UNPUBLISHED. RELEASED FOR PUBLICATION  
 © COPYRIGHT - By - ALL RIGHTS RESERVED.

LOC	DIST	REVISIONS					
FT	0	P	LTR	DESCRIPTION	DATE	DWN	APVD
			B1	REVISED PER ECO-11-004587	11MAR11	RK	HMR

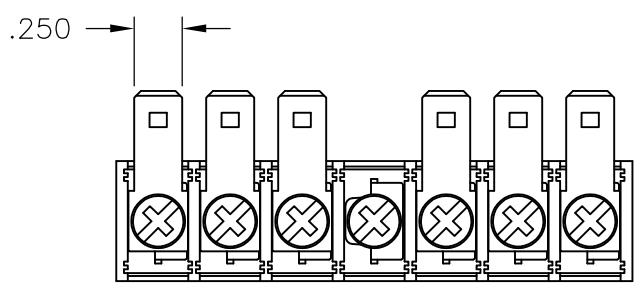
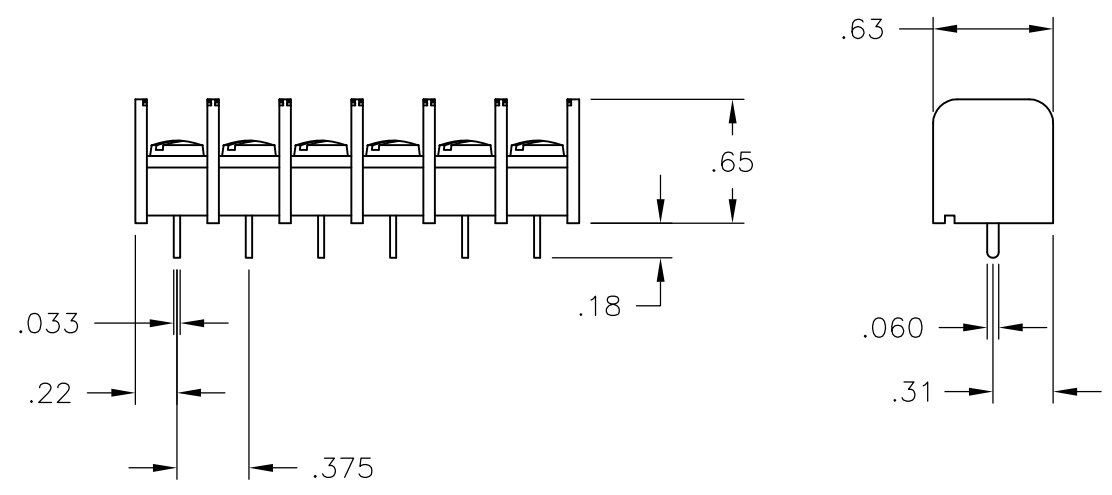
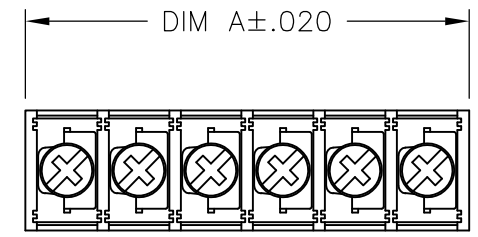
**MATERIALS:**  
 HOUSING: POLYAMIDE, UL94V-0, BLACK.  
 TERMINALS: COPPER ALLOY, TIN PLATED.  
 SCREWS: STEEL, ZINC PLATED, UNLESS OTHERWISE STATED.

**ELECTRICAL:**  
 RATING: 20A, UL & CSA.

**MECHANICAL:**  
 WIRE RANGE: 12-22 AWG.  
 MAXIMUM TIGHTENING TORQUE: 7 IN-LBS.

**ENVIRONMENTAL:**  
 CONTINUOUS OPERATING TEMP.: -40°C TO +105°C

- ① PRELIMINARY PART NUMBER.
- ② SCREWS ARE NICKEL PLATED BRASS.



1546834-6

DIM A	NO OF POS	CATALOG NUMBER	PART NUMBER
9.059	24	NC6-P107-24	2-1437664-7
8.684	23	NC6-P107-23	1546834-4
8.309	22	NC6-P107-22	2-1437664-6
7.934	21	NC6-P107-21	1546834-3
7.559	20	NC6-P107-20	2-1437664-5
7.184	19	NC6-P107-19	1546834-2
6.809	18	NC6-P107-18	1546834-1
6.434	17	NC6-P107-17	2-1437664-3
6.059	16	NC6-P107-16	2-1437664-2
5.684	15	NC6-P107-15	2-1437664-1
5.309	14	NC6-P107-14	2-1437664-0
4.934	13	NC6-P107-13	1-1437664-8
①② 4.559	12	NC6-P105-12	1-1546834-0
①② 4.559	12	NC6-P107-12	1-1437664-7
①② 4.184	11	NC6-P105-11	1546834-9
①② 4.184	11	NC6-P107-11	1-1437664-6
①② 3.809	10	NC6-P105-10	1546834-8
①② 3.809	10	NC6-P107-10	1-1437664-4
①② 3.434	9	NC6-P107-09	1-1437664-3
①② 3.059	8	NC6-P105-08	1546834-7
①② 3.059	8	NC6-P107-08	1-1437664-1
① 2.684	7	NC6-P107-07-060	1546834-6
① 2.684	7	NC6-P107-07	1-1437664-0
2.309	6	NC6-P107-06	1437664-9
1.934	5	NC6-P107-05	1437664-7
1.559	4	NC6-P107-04	1437664-6
1.184	3	NC6-P107-03	1437664-5
.809	2	NC6-P107-02	1437664-4

THIS DRAWING IS A CONTROLLED DOCUMENT.

DIMENSIONS: INCHES	TOLERANCES UNLESS OTHERWISE SPECIFIED:	DWN S SCHLEGEL 8/17/04	<b>TE Connectivity</b> NAME NC6-P107-XX ASSEMBLY
	0 PLC ± -	CHK S YODER 8/17/04	
	1 PLC ± -	APVD S YODER 8/17/04	
	2 PLC ± .02	PRODUCT SPEC	
MATERIAL	FINISH	APPLICATION SPEC	SIZE CAGE CODE DRAWING NO RESTRICTED TO
-	-	WEIGHT -	A3 00779 C-1437664-4
CUSTOMER DRAWING			SCALE NTS SHEET 1 OF 1 REV B1